



Selection: Semi-hermetic Screw Compressors HS

Input Values

Compressor model	HSK6461-60	Operating mode	Standard
Refrigerant	R404A	Power supply	400V-3-50Hz
Reference temperature	Dew point temp.	Useful superheat	100%
Liq. subc. (in condenser)	0 K	Additional cooling	Automatic
Suct. gas superheat	10,00 K	Max. discharge gas temp.	80,0 °C

Result

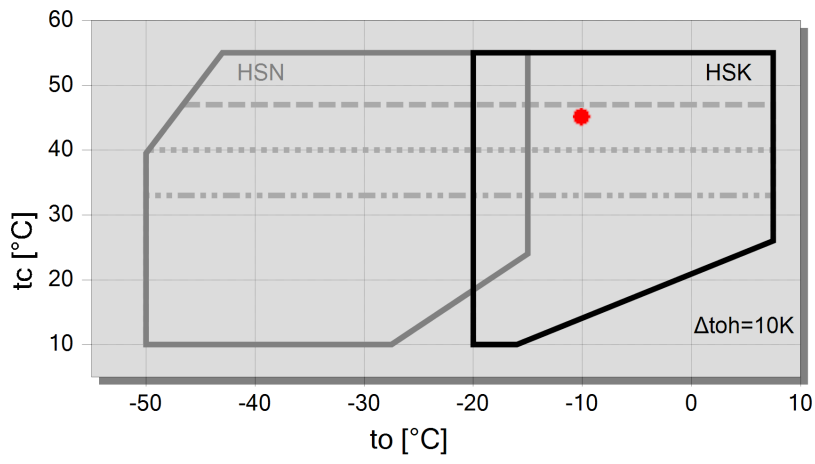
Q [W]	Cooling capacity	mHP [kg/h]	Mass flow HP
P [kW]	Power input	Qac [kW]	Additional cooling
I [A]	Current	tcu [°C]	Liquid temp.
COP [-]	COP/EER	pm [bar(a)]	ECO pressure
mLP [kg/h]	Mass flow LP	Qsc [kW]	sub cooler capacity (ECO)

tc	to	10°C	5°C	0°C	-5°C	-10°C	-15°C	-20°C	-25°C
30°C	Q [W]	--	197785	165106	136846	112504	91627	73811	--
	P [kW]	--	38,3	37,2	36,1	35,1	34,2	33,4	--
	I [A]	--	63,2	61,5	60,0	58,6	57,3	56,2	--
	COP [-]	--	5,16	4,44	3,79	3,21	2,68	2,21	--
	mLP [kg/h]	--	5289	4507	3817	3210	2677	2210	--
	mHP [kg/h]	--	5289	4507	3817	3210	2677	2210	--
	Qac [kW]	--	--	--	--	--	--	--	--
	tcu [°C]	--	29,6	29,6	29,6	29,6	29,6	29,6	--
	pm [bar(a)]	--	--	--	--	--	--	--	--
	Qsc [kW]	--	--	--	--	--	--	--	--
40°C	Q [W]	--	170765	141931	117044	95653	77345	61758	--
	P [kW]	--	45,7	44,7	43,6	42,7	41,7	40,7	--
	I [A]	--	74,0	72,4	70,9	69,4	68,0	66,7	--
	COP [-]	--	3,73	3,18	2,68	2,24	1,86	1,52	--
	mLP [kg/h]	--	5188	4415	3732	3130	2600	2136	--
	mHP [kg/h]	--	5188	4415	3732	3130	2600	2136	--
	Qac [kW]	--	--	--	--	--	--	1,17	--
	tcu [°C]	--	39,6	39,6	39,6	39,6	39,6	39,6	--
	pm [bar(a)]	--	--	--	--	--	--	--	--
	Qsc [kW]	--	--	--	--	--	--	--	--
50°C	Q [W]	--	140575	115910	94689	76512	61016	47877	--
	P [kW]	--	55,3	54,3	53,2	52,2	51,2	50,1	--
	I [A]	--	88,2	86,6	85,1	83,6	82,0	80,5	--
	COP [-]	--	2,54	2,14	1,78	1,47	1,19	0,95	--
	mLP [kg/h]	--	5006	4243	3569	2974	2449	1989	--
	mHP [kg/h]	--	5006	4243	3569	2974	2449	1989	--
	Qac [kW]	--	--	--	2,36	7,44	12,30	16,90	--
	tcu [°C]	--	49,7	49,7	49,7	49,7	49,7	49,7	--
	pm [bar(a)]	--	--	--	--	--	--	--	--
	Qsc [kW]	--	--	--	--	--	--	--	--

-- No calculation possible (see message in single point selection)

*According to EN12900 (10K suction gas superheat, 0K liquid subcooling)

Application Limits Standard



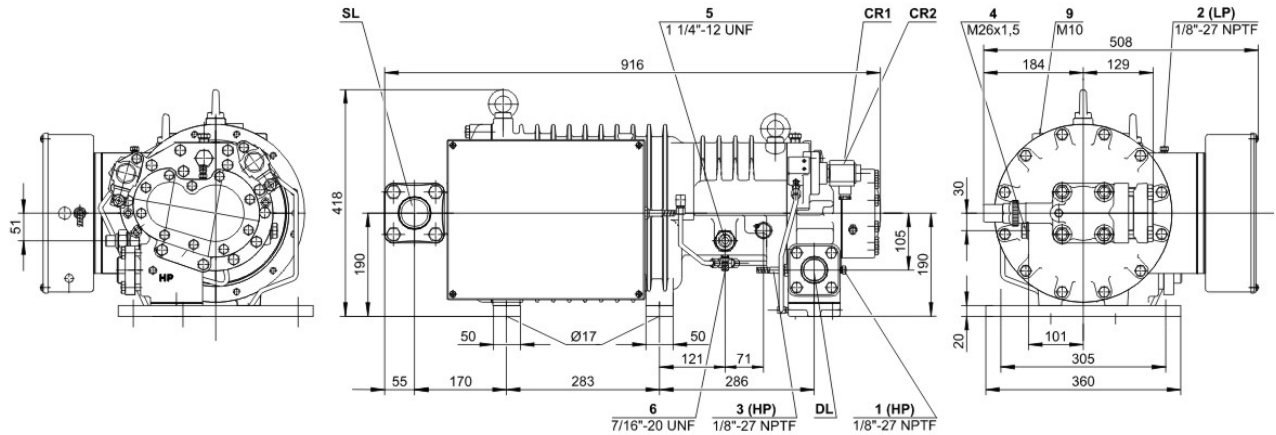
Legend

- max. t_c for frequencies = 20Hz
- max. t_c for frequencies = 25Hz
- max. t_c for frequencies = 35Hz
- A



Technical Data: HSK6461-60

Dimensions and Connections



Technical Data

Technical Data

Displacement (2900 RPM 50 Hz)	165 m ³ /h
Displacement (3500 RPM 60 Hz)	198 m ³ /h
Weight	246 kg
Max. pressure (LP/HP)	19 / 28 bar
Connection suction line	54 mm - 2 1/8"
Connection discharge line	42 mm - 1 5/8"
Adapter/shut-off valve for ECO	22 mm - 7/8" (Option)
Adapter for liquid injection	16 mm - 5/8" (Option)
Oil type R22	B150SH, B100 (Option)
Oil type R134a/R404A/R507A/R407A/R407F	BSE170
Oil type R448A/R449A/R454C	BSE170

Motor data

Motor version	1
Motor voltage (more on request)	380-415V PW-3-50Hz
Max operating current	98.0 A
Starting current (Rotor locked)	267.0 A D / 449.0 A DD
Max. Power input	65,0 kW

Extent of delivery (Standard)

Discharge gas temperature sensor	Standard
Start unloading	Standard
Oil flow control	SE-B3 (Standard)
Motor protection	SE-E1 (Standard), SE-E3 (Standard for 660-690V)
Suction shut-off valve	Standard
Capacity control	100-75-50% (Standard)
Enclosure class	IP54

Available Options

Discharge shut-off valve	Option
ECO connection with shut-off valve	Option
Motor protection	SE-i1 (200-690V)

Sound measurement

Sound power level (-10°C / 45°C)	87,0 dB(A)
Sound pressure level @ 1m (-10°C / 45°C)	79,0 dB(A)



Semi-hermetic Screw Compressors HS

HSK = Application for air-conditioning and medium temperature cooling.

HSN = Application for low temperature cooling.

Notes regarding application limits (see "Limits")

- * Ranges are valid for standard operation and at full-load conditions.
- * With high pressure conditions, part-load operation is partly limited (see application limits in applications manual SH-100).
- * With Economizer operation the maximum admissible evaporation temperature is shifted by 10K downward (otherwise there is a danger of excessive compression and overload of the motor because of a higher mass flow). At pull-down conditions from higher evaporation temperatures, the ECO injection must remain closed until the evaporation temperature is below the maximum admissible value and a stable operation is achieved (e.g. control of the ECO solenoid valve by means of a low pressure cut-out). The use of the ECO-system with higher evaporation temperatures requires individual consultation with Bitzer.

HS 64/74

- * Capacity control with ECO operation at the same time is limited to one single regulating step (CR 75%). At CR 50% the ECO injection should be closed.

Data for sound emission

Data are based on 50Hz application (IP-units 60Hz) and R404A.

Sound pressure level: values are based on open air test sites with semi-spherical sound emissions at 1 meter distance. For further information see Technical Information "Sound Data".

Legend of connection positions according to "Dimensions":

- 1 High pressure connection (HP)
- 1a Additional high pressure connection
- 1b Connection for high pressure transmitter (HP)
- 2 Low pressure connection (LP)
- 2a Additional low pressure transmitter (LP)
- 2b Connection for low pressure transmitter (LP)
- 3 Discharge gas temperature sensor connection (HP)
- 4 Connection for economizer (ECO)
- HS.85: ECO valve with connection pipe (option)
- HS.95, OS.85, OS.95: ECO valve (option)
- 5 Oil injection connection
- 6 Oil pressure connection for HS.85 and OS.85:
 - Oil drain (compressor housing)
 - 7 Oil drain (motor housing)
 - 7a Oil drain (suction gas filter)
 - 7b Oil drain out of shaft seal (maintenance connection)
 - 7c Oil drain tube (shaft seal)
- 8 Threaded bore for foot fastening
- 9 Threaded bore for pipe support (ECO and LI line)
- 10 Maintenance connection (oil filter)
- 11 Oil drain (oil filter)
- 12 Monitoring of oil stop valve
- 13 Oil filter monitoring
- 14 Oil flow switch
- 15 Earth screw for housing
- 16 Pressure relief (oil filter chamber)
- 17 Maintenance connection for shaft seal
- 18 Liquid injection (LI)
- 19 Compressor module
- 20 Slider position indicator
- 21 Oil level switch
- 22 Connection for oil pressure transmitter
- 23 Connection for oil and gas return (for systems with flooded evaporator adapter optional)
- 24 Access to oil circulation restrictor
- SL Suction gas line



DL Discharge gas line

Dimensions can show tolerances according to EN ISO 13920-B.